

# SERENGETI®

THE RE-CREATOR OF  
THE SHOTGUN.





**READY  
FOR ANY  
CHALLENGE!**





THE RE-CREATOR OF  
THE SHOTGUN.

 SERENGETI®



Serengeti is the brand of ATS GROUP Company. We are a dynamic team who believe that we can recreate the shotgun industry again. Our fundamental philosophy is to customize every shotgun. Our innovative and powerful design team appears as the synthesis of our old master gunsmiths and our innovative engineers.

*We are assertive, here to blaze the trail.*

Our fundamental philosophy is to create original products with the contribution of developing technology and young minds contrary to standard products that have been continuing for years.

#### *Experience*

We know the shotgun very well. We were born with the combination of three generations of mastery experience and technology. We believe that we will be able to bring the firearms industry to a much different point soon.

#### *Originality*

We believe in difference and endeavor to produce original products. Our main principles are to make and realize sustainable designs with modern lines and turn them into reality. We redesign all functional components within a new systematic.

**SERENGETI RULES: STRONG ALWAYS WINS.**





COMPACT POWER,  
ULTIMATE PRECISION

# AUG 12

AUG 12 is a modern bullpup shotgun designed for superior performance and versatility. With its compact yet powerful structure, it ensures precision shooting while maintaining excellent maneuverability. The ergonomic grip and advanced rail system provide enhanced control, making it ideal for tactical operations and competitive shooting.

# AUG 12

COMPACT POWER, ULTIMATE PRECISION



AUG12 BLACK



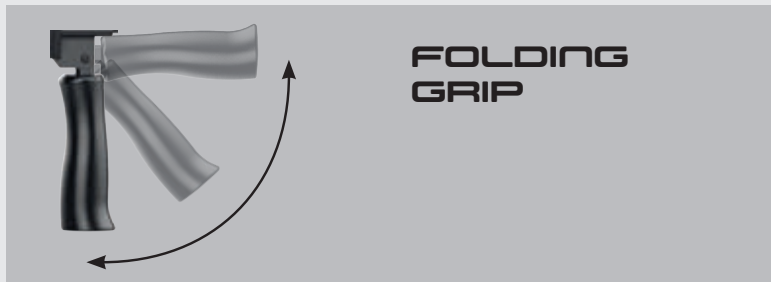
AUG12 WHITE



AUG12 MUD GREEN



## TECHNOLOGY & TECHNICAL



COMPATIBLE  
**PICATINNY**  
WITH LONG/ HIGH / SHORT

Caliber	Chamber	Action
<b>12 GA "3</b>	<b>76 mm / 3"</b>	<b>Semi Automatic</b>

---

Barrel Length	47 cm / 18,5
---------------	--------------

---

Barrel	4140 Chrome drilled steel
--------	---------------------------

---

Weight	3,6± kg / 8 lb
--------	----------------

---

Receiver	Aluminium Anodized/Cerakote Coating
----------	-------------------------------------

---

Magazine Capacity	2+1, 5+1, 10+1
-------------------	----------------

---

Trigger	Trigger Safety
---------	----------------

---

Recoil Pad	Special Polyurethane Pad
------------	--------------------------

---

Lower Frame	Synthetic
-------------	-----------

---





ALWAYS THE CHOICE OF  
THOSE WHO AIM OVER

# SELOUS

The real shooting pleasure.  
Unique design fore-end, amazing gripping experience.  
Excellent lightness of aluminium.  
Hunting, target, sporting all in one.

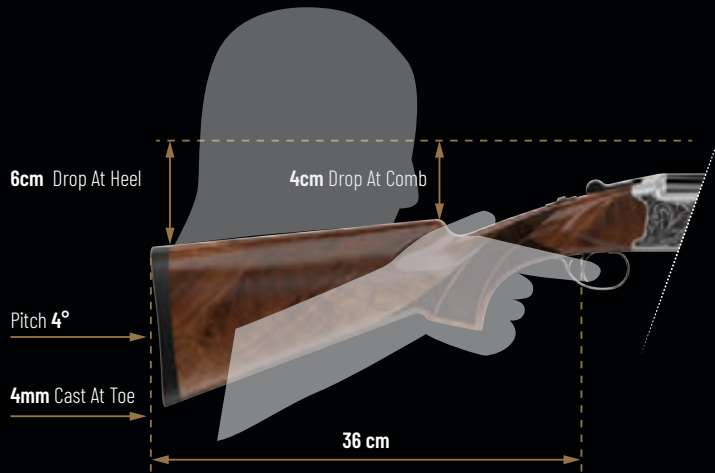
# SELOUS

ALWAYS THE CHOICE OF THOSE WHO AIM OVER



## FORE-END DESIGN PATTENED®

Unique design fore-end, amazing gripping experience. You will feel the comfort, When you hold it.



**1**  
**ALUMINIUM  
RECEIVER**

Lightly, strong as steel. Thanks for the 7016 Aluminium technologies. Minimum T tolerance. Every shotgun brought to the gauge size of the world standards by handcraft.

**STEEL  
RECEIVER**

The excellent strength of steel provides shooting experience in all conditions.



1



2



Fewer part, less maintenance, longer life, easy to use.

3

**ERGONOMIC  
OPENING  
LEVER**

Oversized holding surfaces. With precision pattern processing.

4

**QUALITY  
LUXURY**

Top of the aluminum and steel series, precision rib craftsmanship meets perfect chrome plating.

5

**TURKISH  
WALNUT**

Turkish Walnut, carefully selected one by one, meets with Serengeti after a -6month process with baking, drying, planing, processing, leveling and painting stages.

# SELOUS

We continuously produce all types of Over&Under models with our 30 years of experience.

ALWAYS THE CHOICE OF THOSE WHO AIM OVER

*30*  
years





**SELOUS ALUMINUM EXTRACTOR**

12 CALIBER 28 CALIBER  
20 CALIBER 36 CALIBER



**SELOUS STEEL EXTRACTOR**

12 CALIBER  
20 CALIBER

**SELOUS STEEL EJECTOR**

12 CALIBER  
20 CALIBER

Caliber **12-20 GA** Chamber **76 mm / 3"** Action **Over/Under**

Barrel Length 20" (51cm) - 22" (56cm) - 24" (61cm)  
26" (66cm) - 28" (71cm) - 30" (76cm)

Barrel 4140 Chrome drilled steel

Weight 3 kg/6.60 LB

Receiver Aluminium Anodized/Cerakote Coating

Stock Turkish Walnut

Chokes C, IC, M, IM, F

Safety Trigger Safety.

Trigger Single Selective

Recoil Pad Special Polyurethane Pad

Unloading Extractor

# SELOUS

ALWAYS THE CHOICE OF THOSE WHO AIM OVER



12 GA SELOUS STEEL PREMIUM  
SIDE PLATE W GOLD N-814X



20 GA SELOUS STEEL PREMIUM  
SIDE PLATE W GOLD N-814X



# MODELS



12 GA SELOUS STEEL PREMIUM  
SIDE PLATE N-814X



20 GA SELOUS STEEL PREMIUM  
SIDE PLATE N-814X



12 GA SELOUS STEEL COLORCASE -X



12 GA SELOUS STEEL N814 -X



# SELOUS

ALWAYS THE CHOICE OF THOSE WHO AIM OVER



SELOUS-N-811X

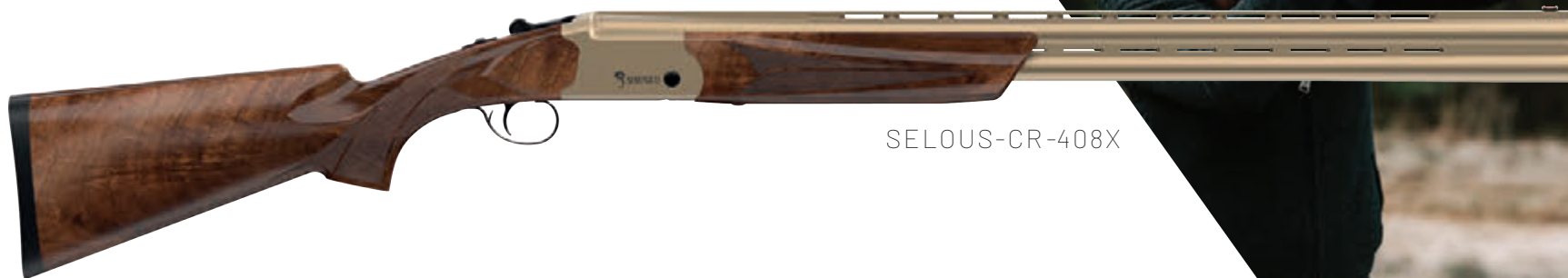


SELOUS-EXTRA WHITE-X



SELOUS-WHITE-X

MODELS



SELOUS-CR-408X



SELOUS-CR-302-X



SELOUS-CR-305-X



# SELOUS

ALWAYS THE CHOICE OF THOSE WHO AIM OVER



SELOUS STEEL COLORCASE X  
LAMINATED LM-51-X



SELOUS STEEL N813 X  
LAMINATED LM-52-X



SELOUS STEEL CR302-X  
LAMINATED LM-53-X

MODELS



SELOUS-CR-408X  
FULL CAREKOTE



SELOUS  
BRONZE X CAMO



SELOUS-N-811  
SYNTHETIC



# SELOUS

ALWAYS THE CHOICE OF THOSE WHO AIM OVER



FORE-END  
**MODEL X**

FORE-END  
**MODEL S**

**POMMEL**  
GRIP MODEL

**PISTOL**  
GRIP MODEL

MODELS



**N811** Engraving



**N812** Engraving









STRONG FROM EVERY ANGLE,  
READY FOR ANY SITUATION.

# ***S-TACTICAL***

Introducing the new S-TACTICAL, offering an experience beyond perfection at the intersection of art and technology. Meet S-TACTICAL and step into an experience that pushes boundaries.

# S-TACTICAL

STRONG FROM EVERY ANGLE, READY FOR ANY SITUATION.

1

## LIGHT ALLOW



Lightly, strong as steel. Thanks for the 7016 Aluminium technologies. Minimum T tolerance. Every shotgun brought to the gauge size of the world standards by handcraft.



## STEEL RECEIVER

The excellent strength of steel provides shooting experience in all conditions.

2



## EXTRACTOR EJECTOR

Fewer part, less maintenance, longer life, easy to use.

3

## ERGONOMIC OPENING LEVER

Oversized holding surfaces. With precision pattern processing.

4



## TURKISH WALNUT FORE-END

Turkish Walnut, carefully selected one by one, meets with Serengeti after a -6month process with baking, drying, planing, processing, leveling and painting stages.





5

### MORE PICATINNY

More, More, More !  
Who Wouldn't want more accessories ?



5

6

### MLOK+

Of course we didn't forget the most popular Rail Interface System.

### FULL ALUMINIUM PATENTED DESIGN HANDGUARD



The entirely aluminum handle of S-TACTICAL stands out with its lightweight and robust design. Providing users with perfect grip and control, its tactical design offers superior performance and precise aiming during shots.



WATCH VIDEO

**S-TACTICAL**

STRONG FROM EVERY ANGLE, READY FOR ANY SITUATION.





Caliber	Chamber	Action
<b>12-20 GA</b>	<b>76 mm / 3"</b>	<b>Over/Under</b>

---

Barrel Length 18.5" (47cm) - 20" (51cm)

---

Barrel	4140 Chrome drilled steel
--------	---------------------------

---

Weight	3 kg/6.60 LB
--------	--------------

---

Receiver	Aluminium Anodized/Cerakote Coating
----------	-------------------------------------

---

Stock	Turkish Walnut Handguard (Full Aluminium)
-------	-------------------------------------------

---

Chokes	C, IC, M, IM, F
--------	-----------------

---

Safety	Trigger Safety
--------	----------------

---

Trigger	Single Selective
---------	------------------

---

Recoil Pad	Special Polyurethane Pad
------------	--------------------------

---

Unloading	Extractor
-----------	-----------

**S-TACTICAL**

STRONG FROM EVERY ANGLE, READY FOR ANY SITUATION.



SELOUS S-TACTICAL  
USA FLAG



SELOUS S-TACTICAL  
BRONZE CAREKOTE

# MODELS



SELOUS S-TACTICAL  
BLACK.



SELOUS S-TACTICAL  
BLACK W







A NEW BREATH IN MAG-FED

# LEGION 120

A brand new era begins in MAG-FED with LEGION Series.  
Design that fascinates with its elegance.  
With its full aluminium frame and buttstock, more environmentally  
friendly than ever !

Ready for the **discover LEGION** world?

COMING SOON...

# LEGION 200



**1**  
NEW DESIGN LIGHT ALLOY  
**BUTT STOCK**  
WITH BUFFERTUBE

Elegance, design, and refinement combined in this vbuttstock. Moreover with the comfort of less recoil of the Buffertube spring. With its all-aluminum structure, it raises the quality feeling to the highest level and also manages to be environmentally friendly.

**2**  
MAGAZINE RELEASE  
**BUTTON**

Oversized Magazine Release Button allow for easy operation any circumstance.

**3**  
**TACTICAL TRIGGER DESIGN**

Dedicated design work was done for each piece. Fully custom processed steel trigger is waiting for you for a different experience. moreover, it is designed for optimum weight.

**4**  
**EASY MAGAZINE LOAD**

The magazine bearings is designed at optimum angles. Thus it's possible to easily load magazine in one move.

# TECHNOLOGY



## Sustainability NO MORE PLASTIC

Our planet is important for us we used minimum plastic on the legion series. Less than 6% plastic used by volume. Lower Frame, Handguard and even the Buttstock are made of 7075 series aluminium.



### 9 **MONOBLOCK** SOLID PIECE FRONT CARRIER

Hard to product, robustness is undeniable. One piece, zero welding.

### 5 **mPTS**<sup>®</sup> No Pin Trigger System

No Pin, No Hammer, When the upper frame is free, it can removable easily. Safety! It can be removable when not using the shotgun.

### 6 **ERB**<sup>®</sup> Easy Removable Barrel

Barrel Nut loosening problems are completely eliminated! Only one pin is enough to disassemble the barrel!

### 7 **MORE+** PICATINNY

More, More, More !  
Who Wouldn't want more accessories ?

### 8 **THINNEST** HANDGUARD DESIGN PATTENTED<sup>®</sup>

Inspired by elegance. We are assertive, we have the most elegant fore-end among 12GA shotguns.

LEGION  120

A NEW BREATH IN MAG-FED

 **MPTS**<sup>®</sup>  
No Pin Trigger System

No Pin, No Hammer, When the upper frame is free, it can removable easily. Safety! It can be removable when not using the shotgun.





**ERB**<sup>®</sup>  
Easy Removable Barrel

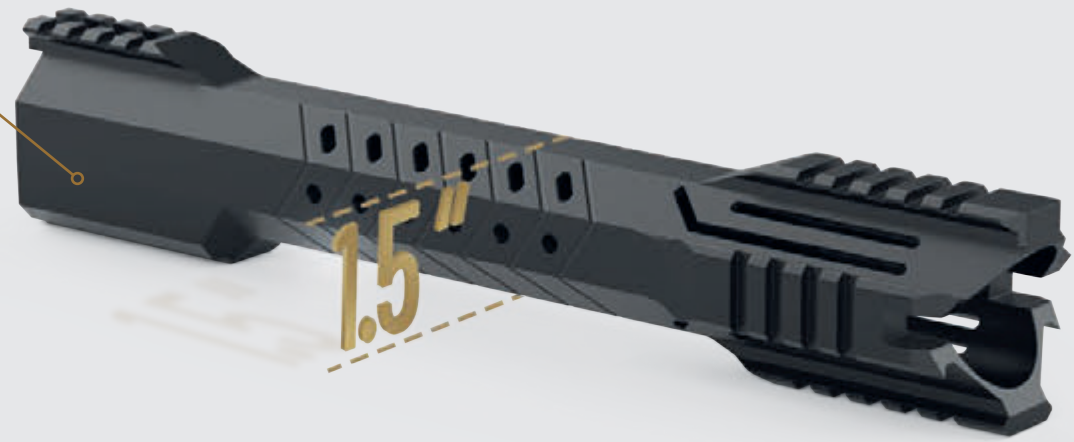
Barrel Nut loosening problems are completely eliminated!  
Only one pin is enough to disassemble the barrel !



**THINNEST  
HANDGUARD**

DESIGN PATENTED<sup>®</sup>

Inspired by elegance. We are assertive,  
we have the most elegant fore-end  
among 12GA shotguns.



LEGION  120

A NEW BREATH IN MAG-FED





Caliber	Chamber	Action
<b>12 GA "3</b>	<b>76 mm / 3"</b>	<b>Semi Automatic</b>

Barrel Length	51cm / 20"
Barrel	4140 Chrome drilled steel
Weight	±4 kg / 8.8 lb
Receiver	Aluminium Anodized/Cerakote Coating
Stock	Full Alumium Fixed Pattented Design <sup>®</sup>
Magazine Capacity	1+10 ,1+5 ,1+2
Safety	Trigger Safety, It can be removable when not using the shotgun. <sup>®</sup>
Trigger	Trigger Safety, Automatic Locking System
Recoil Pad	Special Polyurethane Pad



LEGION-120 BLACK



LEGION-120 CR-301



LEGION-120 CR-302



LEGION-120 CR-304



LEGION-120 CR-305



# MODELS



LEGION-120 BC-301



LEGION-120 CR-303



LEGION-120 BC-302



LEGION-120 CR-306



LEGION-120 BC-305

LEGION  120

A NEW BREATH IN MAG-FED



LEGION-120 -CR-307 GOLD BRONZE  
BEST SELLER COLOR



TESTED  
**1000**  
SHOTS



# LEGION 120

A NEW BREATH IN MAG-FED



LEGION-120 CP-401



LEGION-120 CP-405



LEGION-120 CP-402



LEGION-120 CP-406



LEGION-120 CP-403



LEGION-120 CP-407 W  
Gold Details



LEGION-120 CP-404



LEGION-120 CP-408

# MODELS



LEGION-120 BLACK W  
Nickel Details



LEGION-120 CP-408 W  
NICKEL DETAILS



LEGION-120 CARBON FIBER



LEGION-120 CP-409



LEGION-120 CP-410



LEGION-120 CP-411



LEGION-120 CM-502

MODELS



LEGION-120 CM-501



LEGION-120 CP-412



LEGION-120 SPECIAL EDITION  
MIAMI BLUES



LEGION-120 SPECIAL EDITION  
MIAMI NIGHTS



# LEGION 120 PREMIUM

A NEW BREATH IN MAG-FED

With its high-precision sights, powerful explosive impact, and luxury details, the Legion 120 Premium elevates the passion for hunting to the next level. Discover the fusion of quality and performance; take your shooting experience to new heights with the Legion 120 Premium!



NEW DESIGN  
**ALUMINIUM**  
GRIP

NEW DESIGN  
**MAGWELL**





Caliber	Chamber	Action
<b>12 GA "3</b>	<b>76 mm / 3"</b>	<b>Semi Automatic</b>

Barrel Length	51cm / 20"
Barrel	4140 Chrome drilled steel
Weight	±4 kg / 8.8 lb
Receiver	Aluminium Anodized/Cerakote Coating
Stock	Full Alumium Fixed Pattented Design <sup>®</sup>
Magazine Capacity	1+10 ,1+5 ,1+2
Safety	Trigger Safety, It can be removable when not using the shotgun. <sup>®</sup>
Trigger	Trigger Safety, Automatic Locking System
Recoil Pad	Special Polyurethane Pad

**MORE+**  
**PICATINNY**

**THINNEST**  
**HANDGUARD**  
DESIGN PATTENTED<sup>®</sup>

NEW DESIGN LIGHT ALLOY  
**BUTT STOCK**  
WITH BUFFERTUBE

**THINNEST**  
**HANDGUARD**  
DESIGN PATTENTED<sup>®</sup>

# LEGION 120

A NEW BREATH IN MAG-FED

The Legion 120 Mini offers superior maneuverability with its lightweight and compact design. High-precision sights, powerful impact, and user-friendly operation enhance your shooting experience. Be prepared at all times for accurate shots with this versatile tactical shotgun.





Caliber	Chamber	Action
<b>12 GA "3</b>	<b>76 mm / 3"</b>	<b>Semi Automatic</b>
Barrel Length	25cm / 9,84"	
Barrel	4140 Chrome drilled steel	
Weight	±3 kg / 6,6 lb	
Receiver	Aluminium Anodized/Cerakote Coating	
Stock	Telescopic Stock	
Magazine Capacity	1+10 ,1+5 ,1+2	
Safety	Trigger Safety, It can be removable when not using the shotgun.®	
Trigger	Trigger Safety, Automatic Locking System	
Recoil Pad	Special Polyurethane Pad	

LEGION  120 WOOD





Legion 120 Wood brings together elegance and power to offer hunters a unique experience. With its wooden texture, this shotgun blends traditional and modern design, elevating the passion for hunting to the highest level.



# LEGION 120 WOOD

A NEW BREATH IN MAG-FED



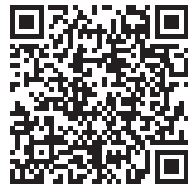
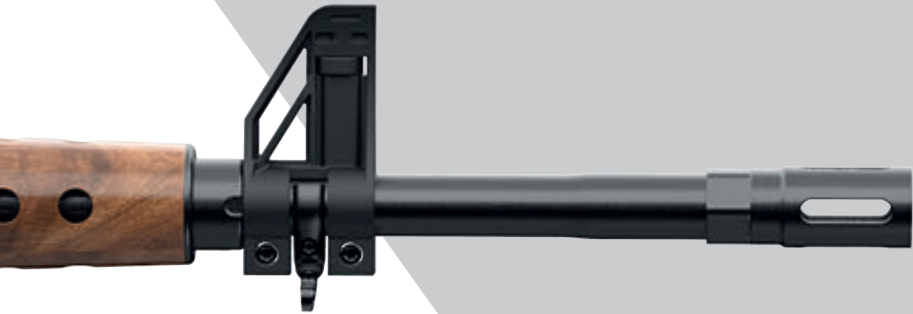
**MPTS**<sup>®</sup>  
No Pin Trigger System

 **ERB**<sup>®</sup>  
Easy Removable Barrel

 **TACTICAL  
TRIGGER  
DESIGN**

**EASY  
MAGAZINE  
LOAD** 

**MAGAZINE RELEASE  
BUTTON** 



WATCH VIDEO

Caliber	Chamber	Action
<b>12 GA "3</b>	<b>76 mm / 3"</b>	<b>Semi Automatic</b>

Barrel Length	51cm / 20"
Barrel	4140 Chrome drilled steel
Weight	±4 kg / 8.8 lb
Receiver	Aluminium Anodized/Cerakote Coating
Stock	Full Alumium Fixed Pattented Design <sup>®</sup>
Magazine Capacity	1+10 ,1+5 ,1+2
Safety	Trigger Safety, It can be removable when not using the shotgun. <sup>®</sup>
Trigger	Trigger Safety, Automatic Locking System
Recoil Pad	Special Polyurethane Pad

**MORE+**  
**PICATINNY**

**THINNEST**  
**HANDGUARD**  
DESIGN PATTENTED<sup>®</sup>

NEW DESIGN LIGHT ALLOY  
**BUTT STOCK**  
WITH BUFFERTUBE

**THINNEST**  
**HANDGUARD**  
DESIGN PATTENTED<sup>®</sup>

LEGION  120 







LEGION  120 



# LEGION 120



9 DOUBLE SIDED BOLT RELEASE BUTTON

1 SHOCK ABSORBER RECOIL PAD DESIGN

2 FIXED OR TELESCOPIC BUTTSTOCK OPTION

3 BUFFERWBE SYSTEM, AR- BUTTSTOCKS

4 DOUBLE SIDED SAFETY BUTTON

5 COMPATIBLE WITH AR- GRIPS

6 DOUBLE SIDED BOLT RELEASE BUTTON

7 FULL PICATINNY RAILS

8 LONG, TINY AND COMPACT HANDGUARD DESIGN



10



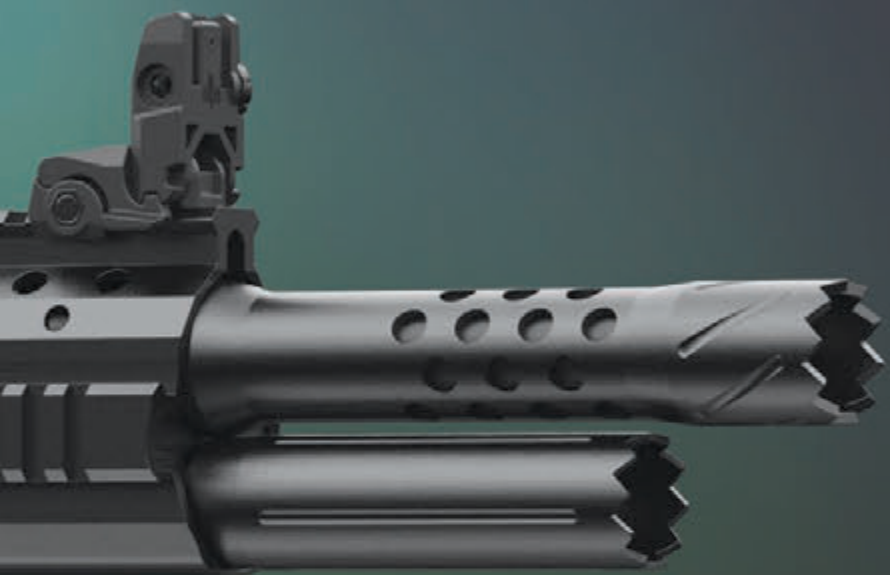
10

M-LOK RAILS

Caliber	Chamber	Action
<b>12 GA 3"</b>	<b>76 mm / 3"</b>	<b>Semi Automatic</b>

Barrel Length	47cm / 18,5"
Barrel	4140 Chrome drilled steel
Weight	3,6 ± kg / 8.8 lb
Receiver	Aluminium Anodized/Cerakote Coating
Stock	Full Alumium Fixed Pattented Design <sup>®</sup>
Magazine Capacity	2+1, 5+1, 10+1
Safety	Trigger Safety
Recoil Pad	Special Polyurethane Pad
Lower Frame	Synthetic





DRIVEN BY INNOVATION

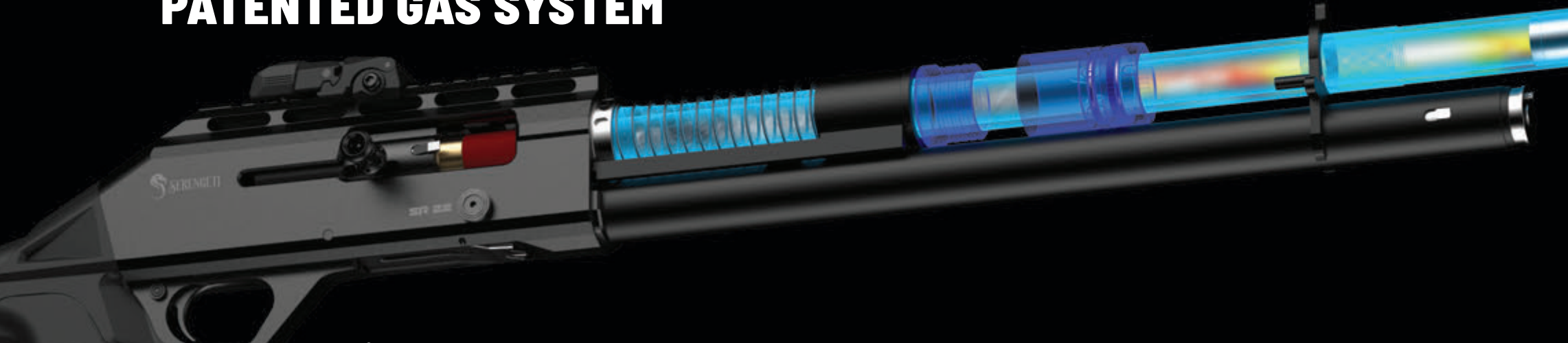
# SR 22

The next generation of semi-automatic tactical shotguns.  
Unique design, patented gas system/tube magazine combination.  
Barrel piston system applied on a tube magazine shotgun for the first time.  
Discover for more...

# SR 22

DRIVEN BY INNOVATION

## PATENTED GAS SYSTEM



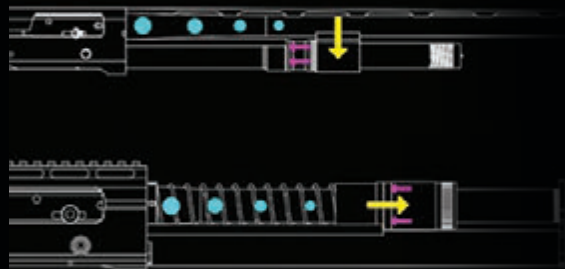
**BPS**   
Barrel Piston System

**BARREL PISTON SYSTEM PATENTED.®**

The perfect working performance in the barrel piston applied on a tube magazine shotgun for the first time.

**UNIQUE DESIGN**

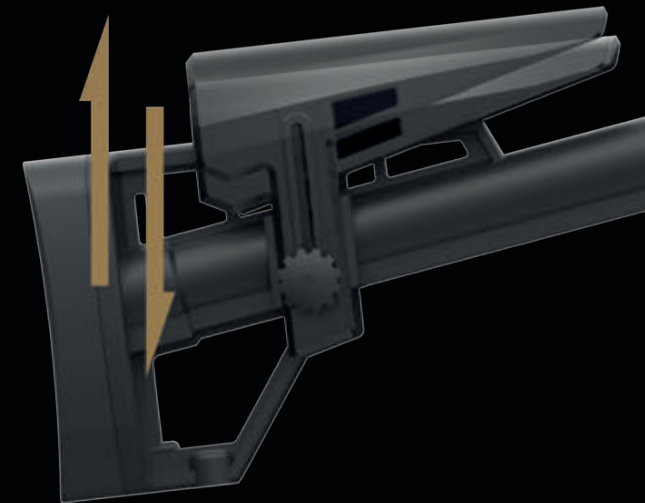
The perfect combination of tube magazine and barrel piston.



**STANDART  
GAS OPERATED.**

**BPS**   
Barrel Piston System

**ADJUSTTABLE  
CHEEK RISER**





1

**UNIQUE TACTICAL  
HANDGUARD  
DESIGN**

Ultimate design, Excellent aluminium feel, PICATINNY and MLOK rail everything expected of a forend

2

**FULL  
ALUMINUM  
HANDGUARD &  
TRIGGER GROUP**

Sense of quality, zero plastic goal. Excelent aluminium hardness.

3

**MORE  
PICATINNY**

More, More, More !  
Who Wouldn't want more accessories ?

4

**mLOK<sup>+</sup>**

Of course we didn't forget the most popular Rail Interface System.



WATCH VIDEO

# SR 22

DRIVEN BY INNOVATION







Caliber	Chamber	Action
<b>12 GA "3</b>	<b>76 mm / 3"</b>	<b>Semi Automatic</b>

Barrel Length	47cm/ 18,5"
Barrel	4140 Chrome drilled steel
Weight	4± kg / 8.8 lb
Receiver	Aluminium Anodized/Cerakote Coating
Stock	Tactical Synthetic
Magazine Capacity	5+1
Safety	Trigger Safety.
Trigger Guard	Full Aluminium
Recoil Pad	Special Polyurethane Pad

# SR 22

DRIVEN BY INNOVATION



SR 22 BLACK



SR 22 CARBON FIBER



SR 22 CR-302



SR 22 CR-303

# MODELS



SR 22 CR-304



SR 22 CR-305



SR 22 CR-301



SR 22 CR-306

SR 22





SR 22 CP-408 W  
GOLD DETAILS



SR 22 CP-405



SR 22 CP-407 W  
GOLD DETAILS



SR 22 BLACK W  
NICHEL DETAILS

# SR 22

DRIVEN BY INNOVATION



SR 22 CP-406



SR 22 CP-401



SR 22 CP-410

MODELS



SR 22 CP-409



SR 22 CP-412



SR 22 CP-411





NEVER LET GO OF POWER  
AND CONTROL



***SRPUMP***

A pump-action shotgun, a true embodiment of power and control, stands as a testament to unwavering dominance in the world of firearms. With its distinct design and mechanism, it delivers unparalleled performance and reliability. Whether for sport shooting or home defense, this iconic firearm merges heritage with innovation, offering a sense of security that never wavers.

# SRPUMP

NEVER LET GO OF POWER AND CONTROL



1

## ALUMINIUM HEATSHIELD

Ultimate design, Excellent aluminium feel, PICATINNY and MLOK rail everything expected of a forend

2

## FULL ALUMINIUM TRIGGER GROUP

Sense of quality, zero plastic goal. Excelent aluminium hardness.

3

## MORE PICATINNY

More, More, More !  
Who Wouldn't want more accessories ?

4

## MAGAZIE EXTENSION OPTION

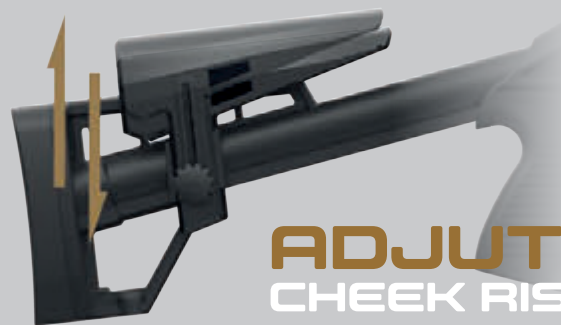
Of course we didn't forget the most popular Rail Interface System.

# TECHNOLOGY



**mLOK<sup>+</sup>**

Of course we didn't forget the most popular Rail Interface System.



**ADJUSTTABLE  
CHEEK RISER**



# ***SRPUMP***

NEVER LET GO OF POWER AND CONTROL



 SERENGETI

***SRPUMP***



Caliber	Chamber	Action
<b>12 GA</b>	<b>76 mm / 3"</b>	<b>Pump Action</b>

Barrel Length	18.5"	47cm / 18,5"
---------------	-------	--------------

Barrel	4140 Chrome drilled steel
--------	---------------------------

Weight	4± kg / 8.8 lb
--------	----------------

Receiver	Aluminium Anodized/Cerakote Coating
----------	-------------------------------------

Stock	Tactical Synthetic
-------	--------------------

Magazine Capacity	5+1, (8+1 with Extention)
-------------------	---------------------------

Safety	Trigger Safety
--------	----------------

Trigger Guard	Full Aluminium
---------------	----------------

Recoil Pad	Special Polyurethane Pad
------------	--------------------------

# SRPUMP

NEVER LET GO OF POWER AND CONTROL



SP-Pump-BLACK



SP-Pump-CR-305

# MODELS



SP-Pump CP-408  
W-NICKEL DETAILS




SP-Pump CP-407  
W-GOLD DETAILS







THE CHOICE OF THE  
NEW GENERATION

**SR BULL** 

Completely Tactical, Sporting and Home-Defense. It manages to win everyone's appreciation with its ease of use and the lightness brought by its synthetic lower frame. It waiting for you with the completely new carekote options.

# SR BULL

ALWAYS THE CHOICE OF THOSE WHO AIM OVER



## 1 DOUBLE-SIDED MAGAZINE RELEASE BUTTON

Easy and comfortable use in all conditions

## 2 MORE PICATINNY

More, More, More !  
Who Wouldn't want more accessories ?

## 3 ADJUSTTABLE CHEEK RISER



Caliber	Chamber	Action
<b>12 GA "3</b>	<b>76 mm / 3"</b>	<b>Semi Automatic</b>
Barrel Length	51cm / 20"	
Barrel	4140 Chrome drilled steel	
Weight	3,6± kg / 8 lb	
Receiver	Aluminium Anodized/Cerakote Coating	
Magazine Capacity	2+1, 5+1, 10+1	
Trigger	Trigger Safety	
Recoil Pad	Special Polyurethane Pad	
Lower Frame	Synthetic	

**SR BULL** 

THE CHOICE OF THE NEW GENERATION



SRBULL BLACK



SRBULL CR-305



SRBULL CR-304

# MODELS



SRBULL BC-301



SRBULL BC-305



SRBULL CR-301



SRBULL BC-302

THE CHOICE OF THE NEW GENERATION

**SR BULL** 



SRBULL CP-405



SRBULL CP-407 W  
GOLD DETAILS



SRBULL CP-408 W  
GOLD DETAILS



SRBULL  
CARBON FIBER

# MODELS



SRBULL CP-406



SRBULL CP-401



SRBULL CP-412



SRBULL CP-411



SRBULL CP-410



SRBULL CP-409

# SBUTTON

-In some countries, by law, the shotgun must be re-load after each shot. This shotgun was produced by developing a different system specifically for this system.



## PATTANTED®

Easy to use in all conditions, never switches to semi-auto.  
When the button disassemble, shotgun becomes nonfunctional.





Caliber

**12 GA "3**

Action

**Button Release Semi Auto**

---

BARREL LENGHT

47-51-66-71 CM

---

MAGAZINE

5+1 / 8+1

---

OVERALL LENGHT

123 cm (71CM Barrel)

---

STOCK:

SYNTHETIC / TURKISH WALNUT

---

WEIGHT

±3,3 kg






@serengetiarms

[www.serengetiarms.com](http://www.serengetiarms.com)





Hamidiye Mah. 40875. Sok. No:29B Beyşehir / Konya / TÜRKİYE  
Phone: +90 (332) 512 6260 - Whatsapp : +90 (534) 518 6260  
E-Mail: info@serengetiarms.com

[www.serengetiarms.com](http://www.serengetiarms.com)

