

# SERENGETI<sup>®</sup>

THE RE-CREATOR OF  
THE SHOTGUN.





**READY  
FOR ANY  
CHALLENGE!**



THE RE-CREATOR OF  
THE SHOTGUN.





Serengeti is the brand of ATS GROUP Company. We are a dynamic team who believe that we can recreate the shotgun industry again. Our fundamental philosophy is to customize every shotgun. Our innovative and powerful design team appears as the synthesis of our old master gunsmiths and our innovative engineers.

*We are assertive, here to blaze the trail.*

Our fundamental philosophy is to create original products with the contribution of developing technology and young minds contrary to standard products that have been continuing for years.

#### *Experience*

We know the shotgun very well. We were born with the combination of three generations of mastery experience and technology. We believe that we will be able to bring the firearms industry to a much different point soon.

#### *Originality*

We believe in difference and endeavor to produce original products. Our main principles are to make and realize sustainable designs with modern lines and turn them into reality. We redesign all functional components within a new systematic.

**SERENGETI RULES: STRONG ALWAYS WINS.**



TACTICAL EDGE,  
PERFECT BALANCE

# S=912

Engineered with a modern bullpup design, this shotgun combines compact dimensions with uncompromising power. Its balanced structure ensures superior maneuverability in close quarters without sacrificing range. Featuring an ergonomic grip and a full-length rail system, it offers ultimate control and adaptability for both tactical missions and competitive shooting.

# S-912

TACTICAL EDGE, PERFECT BALANCE



S-912 BLACK

**1** COMPATIBLE  
**PICATINNY**  
WITH LONG/ HIGH / SHORT

More, More, More !  
Who Wouldn't want more accessories ?

**2** **MLOK+**

Of course we didn't forget the most  
popular Rail Interface System.

**3** **QD MOUNT** Quick Detach

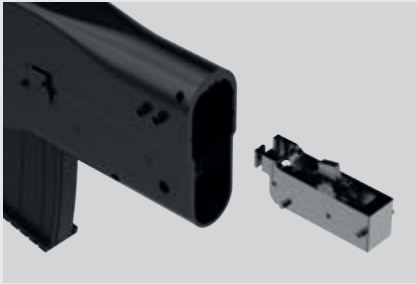


S-912 WHITE



S-912 MUD GREEN

## TECHNOLOGY & TECHNICAL



**REMOVABLE  
TRIGGER GROUP**



**AMBIDEXTROUS  
CHARGING HANDLE**



**COMFORT GRIP  
DESIGN**

Caliber	Chamber	Action
<b>12 GA 3"</b>	<b>76 mm / 3"</b>	<b>Semi Automatic</b>

---

Barrel Length	47 cm / 18,5
---------------	--------------

---

Barrel	4140 Chrome drilled steel
--------	---------------------------

---

Weight	3,6± kg / 8 lb
--------	----------------

---

Receiver	Aluminium Anodized/Cerakote Coating
----------	-------------------------------------

---

Magazine Capacity	2+1, 5+1, 10+1
-------------------	----------------

---

Trigger	Trigger Safety
---------	----------------

---

Recoil Pad	Special Polyurethane Pad
------------	--------------------------

---

Lower Frame	Synthetic
-------------	-----------

---





COMPACT POWER,  
ULTIMATE PRECISION



# SEUG 12

SEUG 12 is a modern bullpup shotgun designed for superior performance and versatility. With its compact yet powerful structure, it ensures precision shooting while maintaining excellent maneuverability. The ergonomic grip and advanced rail system provide enhanced control, making it ideal for tactical operations and competitive shooting.

# SEUG 12

COMPACT POWER, ULTIMATE PRECISION



SEUG 12 CP-401



SEUG 12 CP-402



SEUG 12 CP-403



SEUG 12 FDE



SEUG 12 WHITE



SEUG 12  
MUD GREEN



SEUG 12 BLACK



COMPATIBLE  
**PICATINNY**  
WITH LONG / HIGH / SHORT

Caliber	Chamber	Action	
<b>12 GA 3"</b>	<b>76 mm / 3"</b>	<b>Semi Automatic</b>	
Barrel Length	47 cm / 18,5	Magazine Capacity 2+1, 5+1, 10+1	
Barrel	4140 Chrome drilled steel	Trigger	Trigger Safety
Weight	3,6± kg / 8 lb	Recoil Pad	Special Polyurethane Pad
Receiver	Aluminium Anodized/Cerakote Coating	Lower Frame	Synthetic



**DUAL-ACTION  
MAGAZINE  
RELEASE  
BUTTON**



**REMOVABLE  
TRIGGER  
GROUP**





ALWAYS THE CHOICE OF  
THOSE WHO AIM OVER

# SELOUS

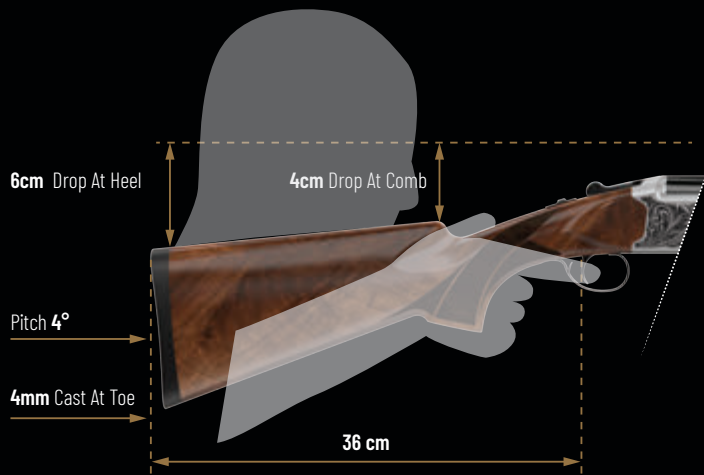
The real shooting pleasure.  
Unique design fore-end, amazing gripping experience.  
Excellent lightness of aluminium.  
Hunting, target, sporting all in one.

# SELOUS



## FORE-END DESIGN PATTENED®

Unique design fore-end, amazing gripping experience. You will feel the comfort, When you hold it.



ALWAYS THE CHOICE OF THOSE WHO AIM OVER



**1**  
**ALUMINIUM  
RECEIVER**

Lightly, strong as steel. Thanks for the 7016 Aluminium technologies. Minimum T tolerance. Every shotgun brought to the gauge size of the world standards by handcraft.

**STEEL  
RECEIVER**

The excellent strength of steel provides shooting experience in all conditions.



1



2



Fewer part, less maintenance, longer life, easy to use.

3

### ERGONOMIC OPENING LEVER

Oversized holding surfaces.  
With precision pattern processing.

4

### QUALITY LUXURY

Top of the aluminum and steel series,  
precision rib craftsmanship meets  
perfect chrome plating.

5

### TURKISH WALNUT

Turkish Walnut, carefully selected one by one, meets with Serengeti after a 6-month process with baking, drying, planing, processing, leveling and painting stages.

# SELOUS

We continuously produce all types of Over&Under models with our 30 years of experience.

ALWAYS THE CHOICE OF THOSE WHO AIM OVER

*30*  
years





**SELOUS  
ALUMINUM**

12 - 16 - 20 - 28 - 410 (36) CALIBER

**SELOUS  
STEEL**

12 - 16 - 20 - 28 CALIBER

Chamber **76 mm / 3"** Action **Over/Under**

Barrel Length 20" (51cm) - 22" (56cm) - 24" (61cm)  
26" (66cm) - 28" (71cm) - 30" (76cm)

Barrel 4140 Chrome drilled steel

Weight 3 kg/6.60 LB

Receiver Aluminium Anodized/Cerakote Coating

Stock Turkish Walnut

Chokes C, IC, M, IM, F

Safety Trigger Safety.

Trigger Single Selective

Recoil Pad Special Polyurethane Pad

Unloading Extractor / Ejector (Only 12 GA)

Engraving Acid/Laser

# SELOUS

ALWAYS THE CHOICE OF THOSE WHO AIM OVER



SELOUS PREMIUM  
SIDE PLATE W GOLD N814-X



SELOUS TRAP

# MODELS



SELOUS PREMIUM  
SIDE PLATE N814-X



SELOUS COLORCASE -X



SELOUS N814 -X



# SELOUS

ALWAYS THE CHOICE OF THOSE WHO AIM OVER



SELOUS-N811-X



SELOUS-EXTRA WHITE-X



SELOUS-WHITE-X

MODELS



SELOUS-CR408-X



SELOUS-CR-302-X



SELOUS-CR-305-X



# SELOUS

ALWAYS THE CHOICE OF THOSE WHO AIM OVER



SELOUS COLORCASE X  
LAMINATED LM-51-X



SELOUS N813 X  
LAMINATED LM-52-X



SELOUS CR-302 X  
LAMINATED LM-53-X

MODELS



SELOUS-CR408-X  
FULL CERAKOTE



SELOUS  
BRONZE X CAMO



SELOUS-N811  
BLACK



# SELOUS

ALWAYS THE CHOICE OF THOSE WHO AIM OVER



FORE-END  
**MODEL X**

FORE-END  
**MODEL S**

**POMMEL**  
GRIP MODEL

**PISTOL**  
GRIP MODEL

MODELS



**N811** Engraving



**N812** Engraving





Where Timeless Design  
Meets Modern Accuracy.

# **S-TACTICAL** *Wood*

Merging classic aesthetics with contemporary engineering, this over-under shotgun is a testament to fine craftsmanship. Featuring rich walnut stocks and precision-machined components, it delivers exceptional balance and smooth handling for the discerning enthusiast dedicated to the art of competitive target shooting.

# S-TACTICAL Wood

STRONG FROM EVERY ANGLE. READY FOR ANY SITUATION.



## 1 LIGHT ALLOY



Lightly, strong as steel. Thanks for the 7016 Aluminium technologies. Minimum T tolerance. Every shotgun brought to the gauge size of the world standards by handcraft.

## 2 STEEL RECEIVER



The excellent strength of steel provides shooting experience in all conditions.

## 3 ERGONOMIC EXTRACTOR EJECTOR



Fewer part, less maintenance, longer life, easy to use.

## 3 ERGONOMIC OPENING LEVER

Oversized holding surfaces. With precision pattern processing.

## 4 TURKISH WALNUT FORE-END



Turkish Walnut, carefully selected one by one, meets with Serengeti after a 6-month process with baking, drying, planing, processing, leveling and painting stages.

# TECHNOLOGY



5

S-TACTICAL  
WOOD GRAY



S-TACTICAL  
WOOD BLACK



5

**MORE  
PICATINNY**

More, More, More !  
Who Wouldn't want more accessories ?

6

**mLOK<sup>+</sup>**

Of course we didn't forget the most  
popular Rail Interface System.





STRONG FROM EVERY ANGLE,  
READY FOR ANY SITUATION.

# ***S-TACTICAL***

Introducing the new S-TACTICAL, offering an experience beyond perfection at the intersection of art and technology. Meet S-TACTICAL and step into an experience that pushes boundaries.

# S-TACTICAL

STRONG FROM EVERY ANGLE, READY FOR ANY SITUATION.

1

## LIGHT ALLOW



Lightly, strong as steel. Thanks for the 7016 Aluminium technologies. Minimum T tolerance. Every shotgun brought to the gauge size of the world standards by handcraft.



## STEEL RECEIVER

The excellent strength of steel provides shooting experience in all conditions.

2



## EXTRACTOR EJECTOR

Fewer part, less maintenance, longer life, easy to use.

3

## ERGONOMIC OPENING LEVER

Oversized holding surfaces. With precision pattern processing.

4



## TURKISH WALNUT FORE-END

Turkish Walnut, carefully selected one by one, meets with Serengeti after a 6-month process with baking, drying, planing, processing, leveling and painting stages.





5

## MORE PICATINNY

More, More, More !  
Who Wouldn't want more accessories ?



5

6

## MLOK+

Of course we didn't forget the most popular Rail Interface System.

## FULL ALUMINIUM PATENTED DESIGN HANDGUARD



The entirely aluminum handle of S-TACTICAL stands out with its lightweight and robust design. Providing users with perfect grip and control, its tactical design offers superior performance and precise aiming during shots.



WATCH VIDEO

**S-TACTICAL**

STRONG FROM EVERY ANGLE, READY FOR ANY SITUATION.





Caliber	Chamber	Action
<b>12 GA</b>	<b>76 mm / 3"</b>	<b>Over/Under</b>

---

Barrel Length	18.5" (47cm) - 20" (51cm) / Overall
---------------	-------------------------------------

---

Barrel	4140 Chrome drilled steel
--------	---------------------------

---

Weight	3 kg/6.60 LB
--------	--------------

---

Receiver	Aluminium Anodized/Cerakote Coating
----------	-------------------------------------

---

Stock	Turkish Walnut Handguard (Full Aluminium)
-------	---

---

Chokes	C, IC, M, IM, F
--------	-----------------

---

Safety	Trigger Safety
--------	----------------

---

Trigger	Single Selective
---------	------------------

---

Recoil Pad	Special Polyurethane Pad
------------	--------------------------

---

Unloading	Extractor / Ejector
-----------	---------------------

---



**S-TACTICAL**

STRONG FROM EVERY ANGLE, READY FOR ANY SITUATION.



S-TACTICAL  
USA FLAG



S-TACTICAL  
BRONZE CERAKOTE

# MODELS



S-TACTICAL  
BLACK.



S-TACTICAL  
BLACK W



WORLD-CLASS  
OPERATING SYSTEM

# SR-4

Built upon a legendary combat pedigree, the SR-4 is engineered robust features and proven auto-regulating gas operating system . This ensures unmatched reliability and rapid cycling in the most demanding environments. The SR-4 evolves this classic platform with enhanced modularity, offering multiple buttstock options—from fixed tactical to multi-position collapsible—giving operators the ability to tailor the weapon for perfect ergonomics and mission-specific requirements.

# SR-4

WORLD-CLASS OPERATING SYSTEM

TECHNOLOGY



## ALUMINIUM HANDGUARD

Ultimate design, Excellent aluminium feel, PICATINNY and MLOK rail everything expected of a forend



## GAS-ASSISTED HYBRID SYSTEM

Under-barrel gas pistons assist the inertia mechanism, ensuring reliable cycling with any load.

## BUTTSTOCK OPTIONS



HUNTING BUTTSTOCK



WOOD BUTTSTOCK



SKELETON BUTTSTOCK



TELESCOPIC BUTTSTOCK



TACTICAL BUTTSTOCK



# SR-4

WORLD-CLASS OPERATING SYSTEM MODELS



SR-4 GRAY



SR-4 BURT BRONZE



SR-4 EARTH HARMONY



SR-4 MARIN



SR-4 WILDLEAF

# TECHNICAL



SR-4 BLACK

Caliber

**12 GA 3"**

Chamber

**76 mm / 3"**

Action

**Semi Automatic  
Inertia + Gas Operated**

Barrel Length

47cm / 18,5

Stock

Fixed / Telescopic Options

Barrel

4140 Chrome drilled steel

Magazine Capacity

5+1 / 7+1 (Optional)

Weight

3.5± kg / 7.8 lb

Safety

Trigger Safety

Receiver

Aluminium Anodized/Cerakote Coating

Recoil Pad

Special Polyurethane Pad





A NEW BREATH IN MAG-FED

# LEGION 120

A brand new era begins in MAG-FED with LEGION Series.  
Design that fascinates with its elegance.  
With its full aluminium frame and buttstock, more environmentally  
friendly than ever !

Ready for the **discover LEGION world?**

COMING SOON...

# LEGION 200



1

NEW DESIGN LIGHT ALLOY  
**BUTT STOCK**  
WITH BUFFERTUBE



Elegance, design, and refinement combined in this vbuttstock. Moreover with the comfort of less recoil of the Buffertube spring. With its all-aluminum structure, it raises the quality feeling to the highest level and also manages to be environmentally friendly.

2

MAGAZINE RELEASE  
**BUTTON**



Oversized Magazine Release Button allow for easy operation any circumstance.

3

**TACTICAL TRIGGER DESIGN**



Dedicated design work was done for each piece. Fully custom processed steel trigger is waiting for you for a different experience. moreover, it is designed for optimum weight.

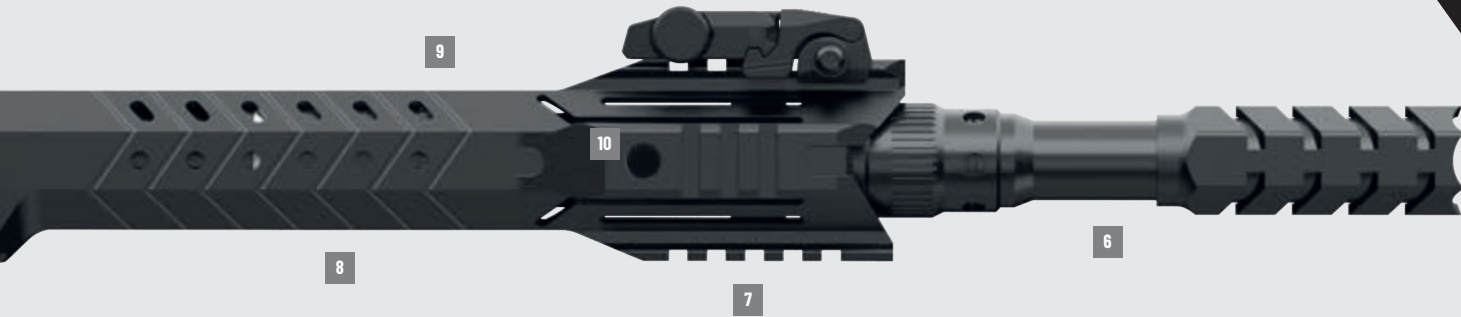
4

**EASY MAGAZINE LOAD**



The magazine bearings is designed at optimum angles. Thus it's possible to easily load magazine in one move.

# TECHNOLOGY



## Sustainability

Our planet is important for us we used minimum plastic on the legion series. Less than %6 plastic used by volume. Lower Frame, Handguard and even the Buttstock are made of 7075 series aluminium.



### 9 **MONOBLOCK** SOLID PIECE FRONT CARRIER

Hard to produce, robustness is undeniable. One piece, zero welding.

### 5 **mPTS**<sup>®</sup> No Pin Trigger System

No Pin, No Hammer, When the upper frame is free, it can removable easily. Safety! It can be removable when not using the shotgun.

### 6 **ERB**<sup>®</sup> Easy Removable Barrel

Barrel Nut loosening problems are completely eliminated! Only one pin is enough to disassemble the barrel!

### 7 **MORE+** PICATINNY

More, More, More !  
Who Wouldn't want more accessories ?

### 8 **THINNEST** HANDGUARD DESIGN PATTENTED<sup>®</sup>

Inspired by elegance. We are assertive, we have the most elegant fore-end among 12GA shotguns.

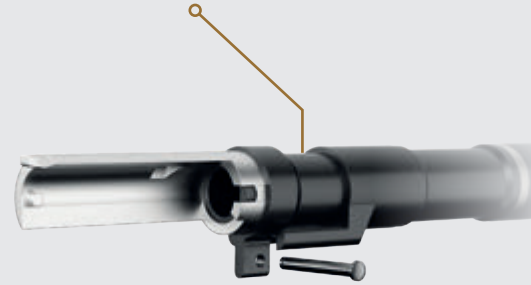
LEGION  120

A NEW BREATH IN MAG-FED

 **MPTS**<sup>®</sup>  
No Pin Trigger System

No Pin, No Hammer, When the upper frame is free, it can removable easily. Safety! It can be removed when not using the shotgun.





**ERB<sup>®</sup>**  
Easy Removable Barrel

Barrel Nut loosening problems are completely eliminated!  
Only one pin is enough to disassemble the barrel !

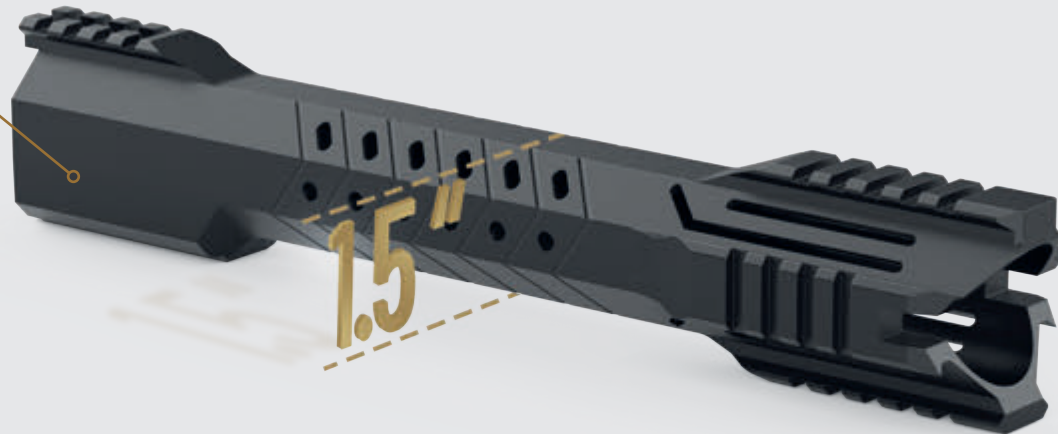


WATCH VIDEO

**THINNEST  
HANDGUARD**

DESIGN PATENTED<sup>®</sup>

Inspired by elegance. We are assertive,  
we have the most elegant fore-end  
among 12GA shotguns.





Caliber	Chamber	Action
<b>12 GA 3"</b>	<b>76 mm / 3"</b>	<b>Semi Automatic</b>
Barrel Length	51cm / 20"	
Barrel	4140 Chrome drilled steel	
Weight	4± kg / 8.8 lb	
Receiver	Aluminium Anodized/Cerakote Coating	
Stock	Full Alumium Fixed Pattented Design <sup>®</sup>	
Magazine Capacity	2+1, 5+1, 10+1	
Safety	Trigger Safety, It can be removable when not using the shotgun. <sup>®</sup>	
Trigger	Trigger Safety, Automatic Locking System	
Recoil Pad	Special Polyurethane Pad	



LEGION-120 CP-417 W-GOLD DETAILS



LEGION-120  
CP-416 W-NICKEL DETAILS



LEGION-120  
CP-415 W-GOLD DETAILS



LEGION-120 CP-414



LEGION-120 CP-413



LEGION-120 BLACK



LEGION-120 CR-301



LEGION-120 CR-302



LEGION-120 CR-304



LEGION-120 CR-305

# MODELS



LEGION-120 BC-301



LEGION-120 CR-303



LEGION-120 BC-302



LEGION-120 CR-306



LEGION-120 BC-305

LEGION  120

A NEW BREATH IN MAG-FED



LEGION-120 -CR-307 GOLD BRONZE  
BEST SELLER COLOR



TESTED  
**1000**  
SHOTS



# LEGION 120

A NEW BREATH IN MAG-FED



LEGION-120 CP-401



LEGION-120 CP-405



LEGION-120 CP-402



LEGION-120 CP-406



LEGION-120 CP-403



LEGION-120 CP-407 W  
Gold Details



LEGION-120 CP-404



LEGION-120 CP-408

# MODELS



LEGION-120 BLACK W  
NICKEL DETAILS



LEGION-120 CP-408 W  
NICKEL DETAILS



LEGION-120 CARBON FIBER



LEGION-120 CP-409



LEGION-120 CP-410



LEGION-120 CP-411



LEGION-120 CM-502

MODELS



LEGION-120 CM-501



LEGION-120 CP-412



LEGION-120 SPECIAL EDITION  
MIAMI BLUES



LEGION-120 SPECIAL EDITION  
MIAMI NIGHTS



# LEGION 120 PREMIUM

A NEW BREATH IN MAG-FED

With its high-precision sights, powerful explosive impact, and luxury details, the Legion 120 Premium elevates the passion for hunting to the next level. Discover the fusion of quality and performance; take your shooting experience to new heights with the Legion 120 Premium!



NEW DESIGN  
**ALUMINIUM**  
GRIP

NEW DESIGN  
**MAGWELL**





Caliber	Chamber	Action
<b>12 GA 3"</b>	<b>76 mm / 3"</b>	<b>Semi Automatic</b>
Barrel Length	51cm / 20"	
Barrel	4140 Chrome drilled steel	
Weight	4± kg / 8.8 lb	
Receiver	Aluminium Anodized/Cerakote Coating	
Stock	Full Aluminium Fixed Pattented Design <sup>®</sup>	
Magazine Capacity	2+1, 5+1, 10+1	
Safety	Trigger Safety, It can be removed when not using the shotgun. <sup>®</sup>	
Trigger	Trigger Safety, Automatic Locking System	
Recoil Pad	Special Polyurethane Pad	

**MORE<sup>+</sup>  
PICATINNY**

**THINNEST  
HANDGUARD**  
DESIGN PATTENTED<sup>®</sup>

NEW DESIGN LIGHT ALLOY  
**BUTT STOCK**  
WITH BUFFERTUBE

**THINNEST  
HANDGUARD**  
DESIGN PATTENTED<sup>®</sup>

# LEGION 120

A NEW BREATH IN MAG-FED

The Legion 120 Mini offers superior maneuverability with its lightweight and compact design. High-precision sights, powerful impact, and user-friendly operation enhance your shooting experience. Be prepared at all times for accurate shots with this versatile tactical shotgun.





Caliber	Chamber	Action
<b>12 GA 3"</b>	<b>76 mm / 3"</b>	<b>Semi Automatic</b>
Barrel Length	25cm / 9,84"	
Barrel	4140 Chrome drilled steel	
Weight	3± kg / 6,6 lb	
Receiver	Aluminium Anodized/Cerakote Coating	
Stock	Telescopic Stock	
Magazine Capacity	2+1, 5+1, 10+1	
Safety	Trigger Safety, It can be removed when not using the shotgun.®	
Trigger	Trigger Safety, Automatic Locking System	
Recoil Pad	Special Polyurethane Pad	

LEGION  120 WOOD





Legion 120 Wood brings together elegance and power to offer hunters a unique experience. With its wooden texture, this shotgun blends traditional and modern design, elevating the passion for hunting to the highest level.



# LEGION 120 WOOD

A NEW BREATH IN MAG-FED



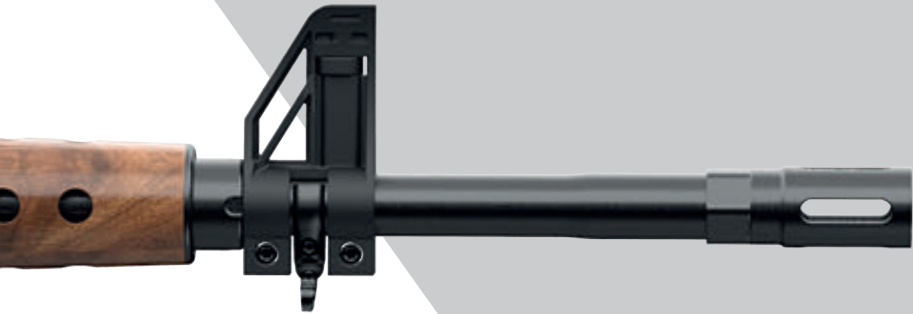
  
No Pin Trigger System

  
Easy Removable Barrel

  
TACTICAL  
TRIGGER  
DESIGN

  
EASY  
MAGAZINE  
LOAD

  
MAGAZINE RELEASE  
BUTTON



WATCH VIDEO

Caliber	Chamber	Action
<b>12 GA 3"</b>	<b>76 mm / 3"</b>	<b>Semi Automatic</b>

Barrel Length	51cm / 20"
Barrel	4140 Chrome drilled steel
Weight	4± kg / 8.8 lb
Receiver	Aluminium Anodized/Cerakote Coating
Stock	Full Aluminium Fixed Pattented Design <sup>®</sup>
Magazine Capacity	2+1, 5+1, 10+1
Safety	Trigger Safety, It can be removed when not using the shotgun. <sup>®</sup>
Trigger	Trigger Safety, Automatic Locking System
Recoil Pad	Special Polyurethane Pad

**MORE+**  
**PICATINNY**

**THINNEST**  
**HANDGUARD**  
DESIGN PATTENTED<sup>®</sup>

NEW DESIGN LIGHT ALLOY  
**BUTT STOCK**  
WITH BUFFERTUBE

**THINNEST**  
**HANDGUARD**  
DESIGN PATTENTED<sup>®</sup>

LEGION  120 





# LEGION 120



A NEW BREATH IN MAG-FED

# LEGION 120



9 DOUBLE SIDED BOLT RELEASE BUTTON

1 SHOCK ABSORBER RECOIL PAD DESIGN

2 FIXED OR TELESCOPIC BUTTSTOCK OPTION

3 BUFFERWBE SYSTEM, AR- BUTTSTOCKS

4 DOUBLE SIDED SAFETY BUTTON

5 COMPATIBLE WITH AR- GRIPS

6 DOUBLE SIDED BOLT RELEASE BUTTON

7 FULL PICATINNY RAILS

8 LONG, TINY AND COMPACT HANDGUARD DESIGN



10



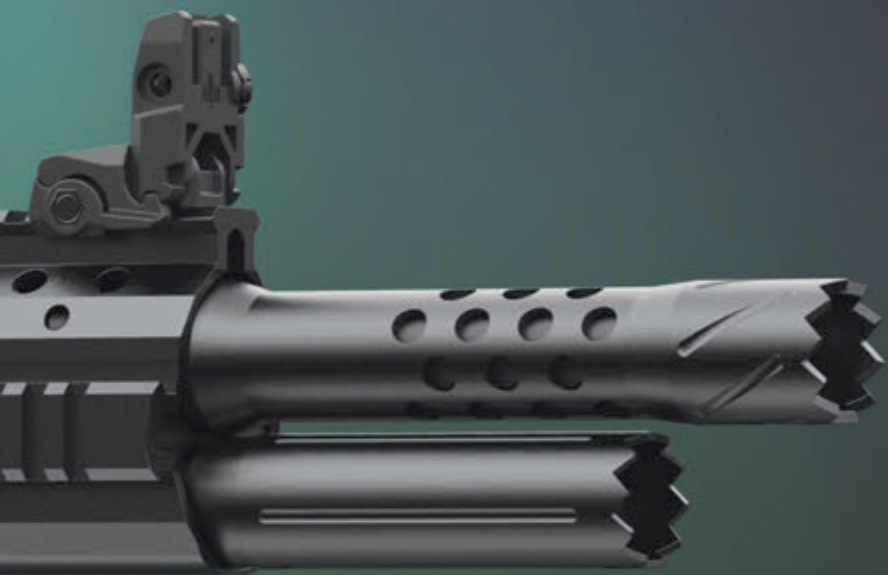
10

M-LOK RAILS

Caliber	Chamber	Action
<b>12 GA 3"</b>	<b>76 mm / 3"</b>	<b>Semi Automatic</b>

Barrel Length	47cm / 18,5"
Barrel	4140 Chrome drilled steel
Weight	3,6 ± kg / 8.8 lb
Receiver	Aluminium Anodized/Cerakote Coating
Stock	Full Aluminium Fixed Pattented Design <sup>®</sup>
Magazine Capacity	2+1, 5+1, 10+1
Safety	Trigger Safety
Recoil Pad	Special Polyurethane Pad
Lower Frame	Synthetic





DRIVEN BY INNOVATION

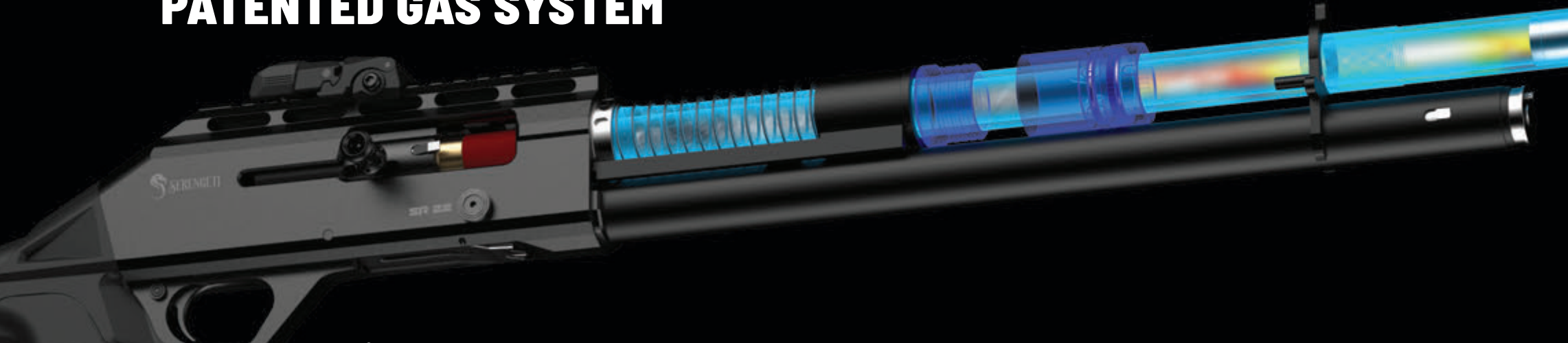
# SR 22

The next generation of semi-automatic tactical shotguns.  
Unique design, patented gas system/tube magazine combination.  
Barrel piston system applied on a tube magazine shotgun for the first time.  
Discover for more...

# SR 22

DRIVEN BY INNOVATION

## PATENTED GAS SYSTEM



### BPS<sup>®</sup> ← |||

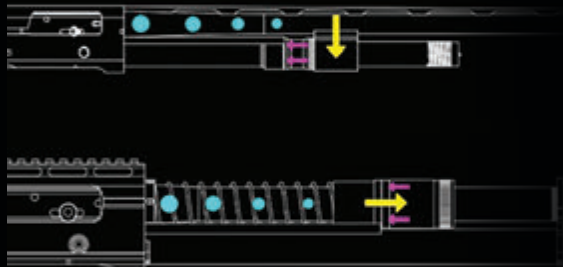
Barrel Piston System

**BARREL PISTON SYSTEM PATENTED.®**

The perfect working performance in the barrel piston applied on a tube magazine shotgun for the first time.

**UNIQUE DESIGN**

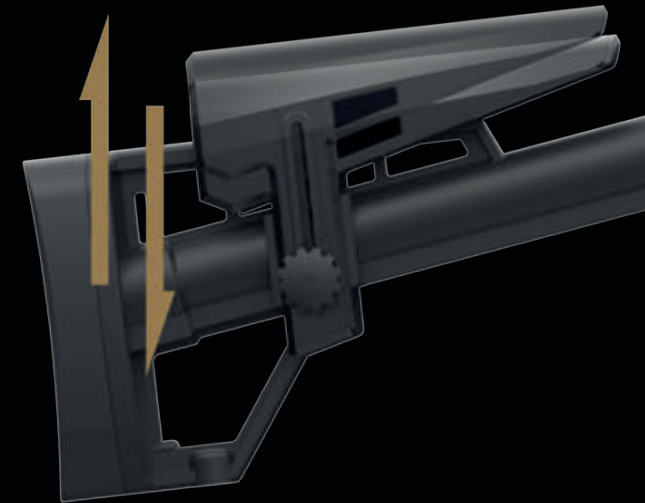
The perfect combination of tube magazine and barrel piston.



**STANDART  
GAS OPERATED.**

**BPS<sup>®</sup> ← |||**  
Barrel Piston System

**ADJUSTTABLE  
CHEEK RISER**





1

**UNIQUE TACTICAL  
HANDGUARD  
DESIGN**

Ultimate design, Excellent aluminium feel, PICATINNY and MLOK rail everything expected of a forend

2

**FULL  
ALUMINUM  
HANDGUARD &  
TRIGGER GROUP**

Sense of quality, zero plastic goal. Excelent aluminium hardness.

3

**MORE  
PICATINNY**

More, More, More !  
Who Wouldn't want more accessories ?

4

**mLOK<sup>+</sup>**

Of course we didn't forget the most popular Rail Interface System.



WATCH VIDEO

**SR 22**

DRIVEN BY INNOVATION





Caliber	Chamber	Action
<b>12 GA 3"</b>	<b>76 mm / 3"</b>	<b>Semi Automatic</b>

Barrel Length	47cm/ 18,5"
---------------	-------------

Barrel	4140 Chrome drilled steel
--------	---------------------------

Weight	4± kg / 8.8 lb
--------	----------------

Receiver	Aluminium Anodized/Cerakote Coating
----------	-------------------------------------

Stock	Tactical Synthetic
-------	--------------------

Magazine Capacity	5+1
-------------------	-----

Safety	Trigger Safety.
--------	-----------------

Trigger Guard	Full Aluminium
---------------	----------------

Recoil Pad	Special Polyurethane Pad
------------	--------------------------

# SR 22

DRIVEN BY INNOVATION



SR 22 CP-412 W-GOLD DETAILS



SR 22 CP-413 W-GOLD DETAILS



CP-414 W-GOLD DETAILS

MODELS



CP-415 W-GOLD DETAILS



CP-416 W-GOLD DETAILS



# SR 22

DRIVEN BY INNOVATION



SR 22 BLACK



SR 22 CARBON FIBER



SR 22 CR-302



SR 22 CR-303

# MODELS



SR 22 CR-304



SR 22 CR-305



SR 22 CR-301



SR 22 CR-306

SR 22





SR 22 CP-408 W  
GOLD DETAILS



SR 22 CP-405



SR 22 CP-407 W  
GOLD DETAILS



SR 22 BLACK W  
NICKEL DETAILS

# SR 22

DRIVEN BY INNOVATION



SR 22 CP-406



SR 22 CP-401



SR 22 CP-410

# MODELS



SR 22 CP-409



SR 22 CP-412




SR 22 CP-411





THE CHOICE OF THE  
NEW GENERATION

**SR BULL** 

Completely Tactical, Sporting and Home-Defense. It manages to win everyone's appreciation with its ease of use and the lightness brought by its synthetic lower frame. It waiting for you with the completely new cerakote options.

# SR BULL

ALWAYS THE CHOICE OF THOSE WHO AIM OVER



## 1 **DOUBLE-SIDED MAGAZINE RELEASE BUTTON**

Easy and comfortable use in all conditions

## 2 **MORE PICATINNY**

More, More, More !  
Who Wouldn't want more accessories ?

## 3 **ADJUSTTABLE CHEEK RISER**



Caliber	Chamber	Action
<b>12 GA 3"</b>	<b>76 mm / 3"</b>	<b>Semi Automatic</b>
Barrel Length	47 cm / 18,5"	
Barrel	4140 Chrome drilled steel	
Weight	3,6± kg / 8 lb	
Receiver	Aluminium Anodized/Cerakote Coating	
Magazine Capacity	2+1, 5+1, 10+1	
Trigger	Trigger Safety	
Recoil Pad	Special Polyurethane Pad	
Lower Frame	Synthetic	

# SR BULL

THE CHOICE OF THE NEW GENERATION



SRBULL BLACK



SRBULL CR-305



SRBULL CR-304

# MODELS



SRBULL CR-301

SRBULL BC-301



SRBULL BC-305



SRBULL CR-301



SRBULL BC-302

THE CHOICE OF THE NEW GENERATION

**SR BULL** 



SRBULL CP-405



SRBULL CP-407 W  
GOLD DETAILS



SRBULL CP-408 W  
GOLD DETAILS



SRBULL  
CARBON FIBER

# MODELS



SRBULL CP-406



SRBULL CP-401



SRBULL CP-412



SRBULL CP-411



SRBULL CP-410



SRBULL CP-409






@serengetiarms

[www.serengetiarms.com](http://www.serengetiarms.com)





Hamidiye Mah. 40875. Sok. No:29B Beyşehir / Konya / TÜRKİYE  
Phone: +90 (332) 512 6260 - Whatsapp : +90 (534) 518 6260  
E-Mail: info@serengetiarms.com

[www.serengetiarms.com](http://www.serengetiarms.com)

